

# TWIN SHOWER SYSTEM

## Installation Guide

---

### Important Installation Considerations

- NOTE: Some showers may not provide an effective shower when used with gravity fed heated water systems or where pressures are less than 150kPa at the outlet. Additionally showers with flow rates of less than 9L/min may not allow the following to function correctly:
  - \_ some instantaneous water heaters
  - \_ some tempering valves
  - \_ some thermostatic mixing valves
- Some shower heads only operate correctly when hot and cold water supplies are both mains pressure and may not be suitable for some instantaneous hot water services.
- When water pressure is in excess of 500kPa a pressure limiting device is required in accordance with AS/NZS 3500 1.12 recommendation

---

Methven warrants this product against manufacturing defects and that it is suitable for use under the general operating conditions specified in this instruction sheet. However, regional regulations apply and may affect your warranty. Please refer to customer service for full details.

New Zealand  
0800 804 222

Australia  
1300 638 483

UK  
0800 195 1602

98-0284

ISSUE A  
DECEMBER 2015

### Technical Specifications:

#### Operating Pressure:

Min: 150kPa/1.5bar  
Max: 500kPa/5.0bar\*  
Optimum: 150kPa/1.5bar - 500kPa/5bar

Recommended installation of pressure limiting valve if supply exceeds 500kPa

#### Operating Temperature:

Hot: Max 80°C\*  
Cold: Min 5°C

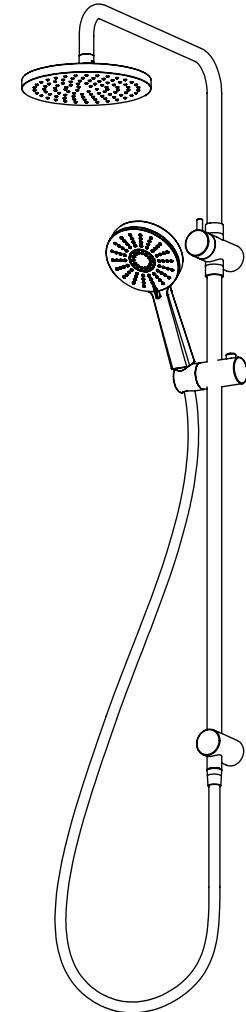
#### Inlet Connections:

All ½" BSP

#### NOTE:

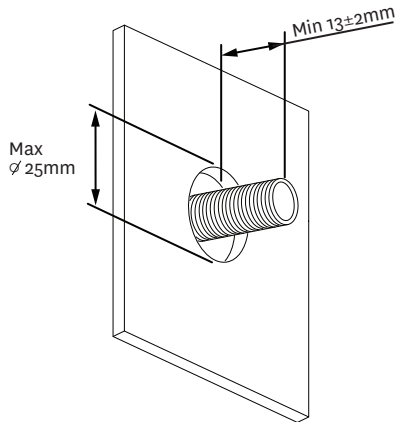
- After installation all connections must be checked for leaks
- All installations must be carried out in compliance with relevant water regulations\*.

\* Regional specific regulations apply.  
Please refer to your warranty statement at  
[www.methven.com](http://www.methven.com)



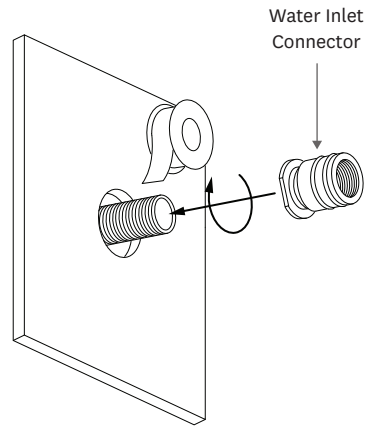
**METHVEN**  
[www.methven.com](http://www.methven.com)

**1. WATER INLET: RECOMMENDED MINIMUM HEIGHT OF 1800mm FROM FLOOR LEVEL**



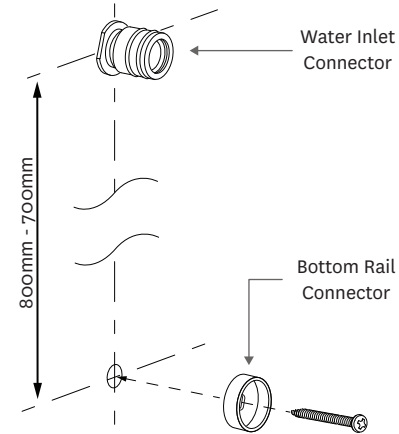
Install a ½" male threaded connection at the recommended height on wall, ensuring that a minimum of 13±2mm of thread protrudes past the finished wall.  
Correct water proofing must be applied.

**2.**



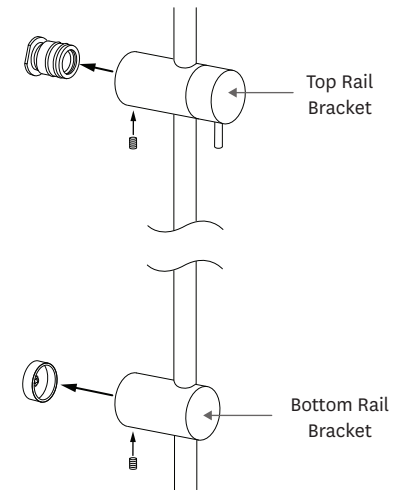
Apply thread tape (or similar) to the ½" connection, then screw the top rail connector to the connection.

**3.**



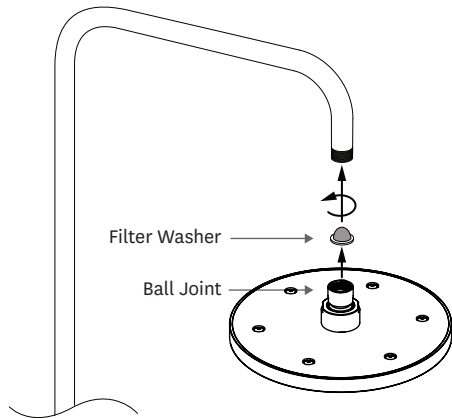
Screw the bottom rail connector to a wall stud making sure it is vertically in line with the top rail connector. Maximum centre distance between the top and bottom shower connections is 800mm.

**4.**



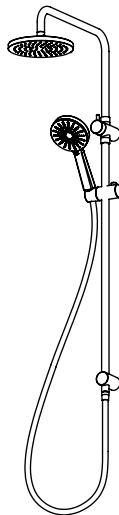
Check the grub screws are wound out. Push the rail brackets onto the top and bottom rail connectors until they are against wall. Secure with grub screws.

**5.**



Remove the protective cap from the showerhead ball joint and screw the unit onto the overhead arm ensuring the filter washer is in place.  
This arm is not adjustable.

**6.**

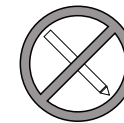


Make sure a washer is in both ends of the hose. Screw hose onto lower outlet on wet rail, attach handset and place firmly in holder. Tilt and rotate head to the desired position.

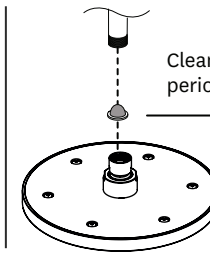
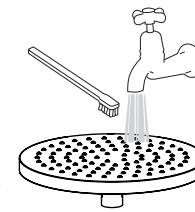
**CLEANING**

Water contains lime which remains on the surface after the water has evaporated. These lime deposits can be prevented from forming by wiping immediately after use.

To clean the chrome-plated surfaces use a soft cloth, soap and warm water. Never use cleaning agents that contain a corrosive acid or a scouring additive.



Do not use any sharp objects to clean nozzles



Clean filter washer periodically.

