

Wall Mounted Mixer Round

Installation Guide

Technical Specifications:

Operating Pressure:

Min: 150kPa/1.5bar

Max: 500kPa/5bar*

Optimum: 150kPa/1.5bar - 500kPa/5bar

Operating Temperature:

Hot: Max 80°C*

Cold: Min 5°C

Inlet Connections:

All ½" BSP

* Regional specific regulations apply.
Please refer to your warranty statement
at www.methven.com

Model No (AU):

03-9814M

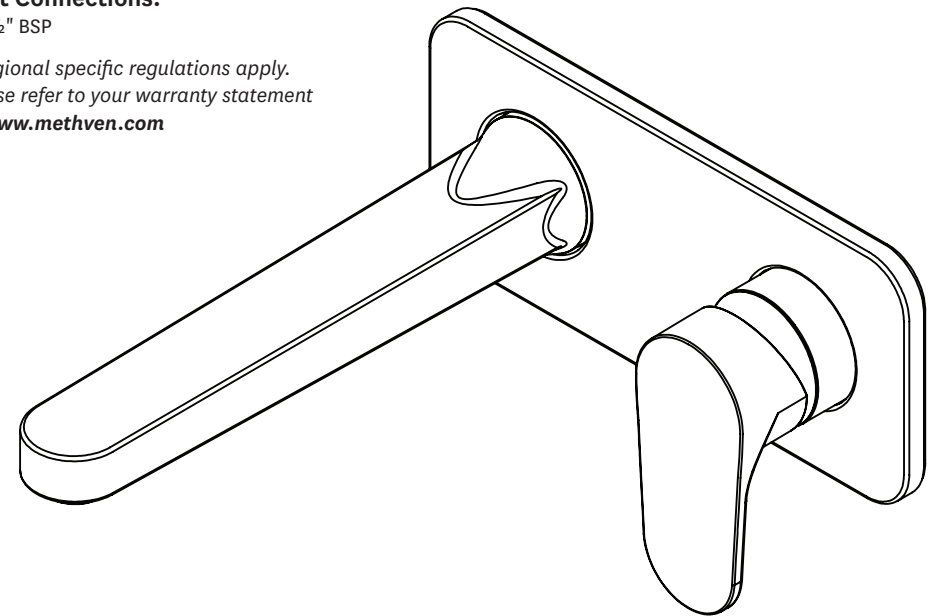
03-9821M

03-9869M

03-9791M

03-9210M

03-9227M



Note: This product allows for the spout to be positioned on either side of the mixer.

Care and Cleaning:

Never use abrasives or abrasive cleaning agents to clean this product. Clean regularly with contamination free warm soapy water and a damp soft cloth.

Methven warrants this product against manufacturing defects and that it is suitable for use under the general operating conditions specified in this instruction sheet. However, regional regulations apply and may affect your warranty. Please refer to www.methven.com or call customer service for full details.

New Zealand
0800 804 222

Australia
1300 638 483

UK
0800 195 1602

439832

ISSUE A

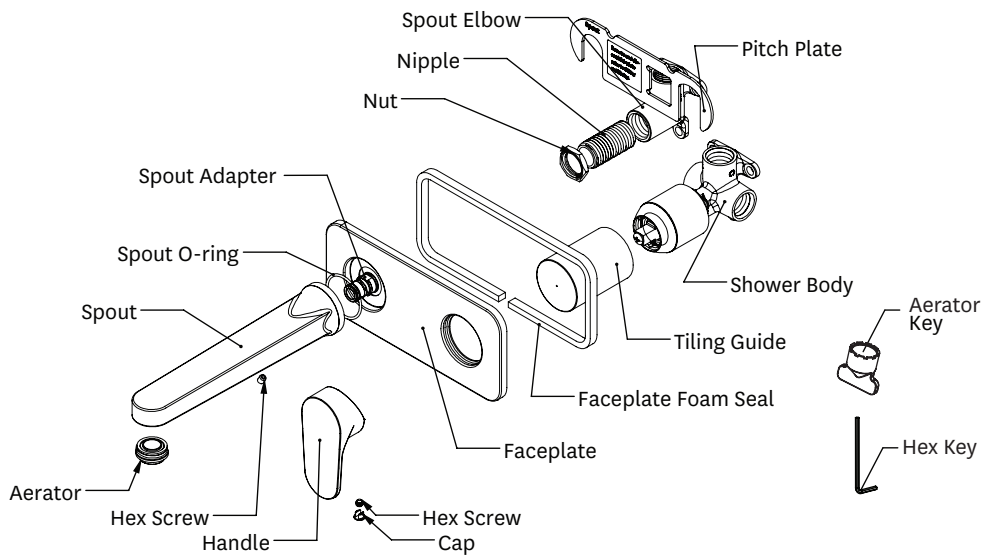
METHVEN
www.methven.com

IMPORTANT: Please read all of the instructions before installation.

General:

- Methven recommends this product is installed by a licensed plumber in compliance with all relevant regional regulations.
- Do not hydrostatic test the installation with this mixer installed. Damage to the ceramic cartridge may occur.
- All pipe work must be thoroughly flushed prior to the installation of the mixer.
- Do not remove the ceramic cartridge from the mixer when installing.
- After installation all connections must be checked for leaks.
- All outlets used primarily for personal hygiene shall deliver water at a safe temperature as per regional regulations.
- This mixer is not recommended for use in uncontrolled heating systems such as wet-backs or solar heating units unless a suitable tempering valve is fitted.
- If limited water flow is experienced, locate aerator and filter washers and clean away foreign material as required.
- It is the responsibility of the installer to ensure a waterproof seal is achieved between the product and mounting surface. If in doubt about the quality of the seal, remove the product and reinstall.

Note: To change the spout to the right hand side simply loosen the nut on the all-thread nipple and slide the pitch plate vertically off of the mixer body. Flip and slide the plate back into the slots in the shower body and move the spout elbow to the right hand side. Relocate the all thread nipple in the pitch plate and retighten the nut.

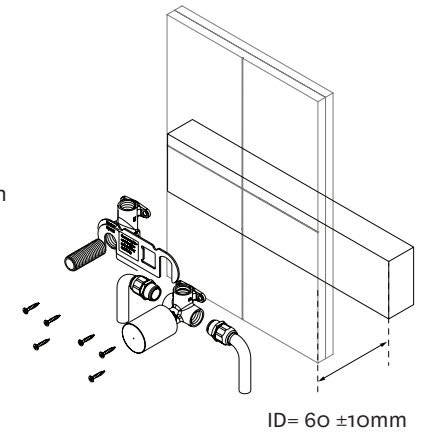


IMPORTANT: Before you begin, turn off the water supply.

Installation:

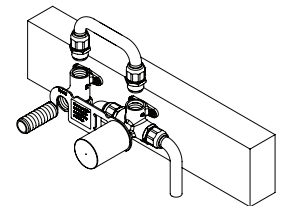
Step 1

- Fit pipework to inlet ports on the shower body before securing to the support timber. Installation Depth, **ID= 60±10mm**. This is defined as the distance between the mounting surface and the finished wall surface.
- Secure the mixer body and then the spout elbow on to the supporting timber ensuring that it is oriented square and vertical. Use a spirit level on the front face and top edge of the pitch plate to ensure that the assembly is square in all directions.



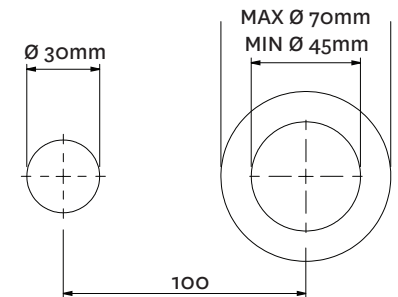
Step 2

- Flush all pipe-work prior to the next step.
- Connect mixer body to hot and cold supplies and outlet to the spout elbow ensuring a good seal at each joint.
- Remove pitch plate and discard. Remove and refit all-thread nipple to spout elbow using plumber's tape to ensure a good seal. Replace plastic cover on all-thread nipple.



Step 3

- Wall lining should be finished as per the diagram on the right.
- Use silicone to seal around the body cover of the mixer to the finished wall lining and refit plastic covers.



Step 4

- Remove plastic covers and discard.
- Cut all-thread nipple to **15±2mm** from finished wall surface.
- Screw spout adapter onto all-thread nipple using plumber's tape to ensure a good seal.
- Stick self-adhesive foam seal to perimeter of back of faceplate ensuring that there is a gap at the bottom.
- Wet rubber seals or grommets and slide faceplate onto shower body and over spout adapter.
- Ensure spout O-ring is in place and push spout onto adapter. Tighten hex screws to secure in place using the 2.5mm hex key provided.
- Push handle onto cartridge pin, tighten hex screw and cap the hex screw hole with the chrome cover.

