

Naida Basin Mixer

02-8009

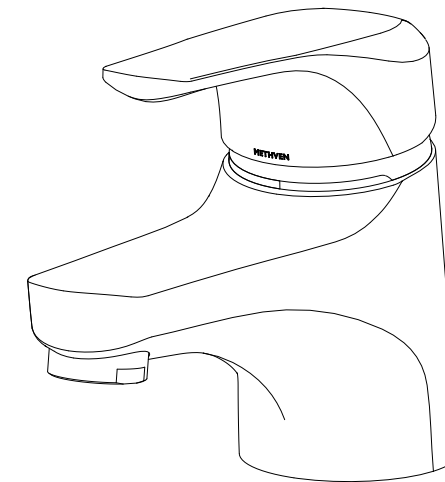
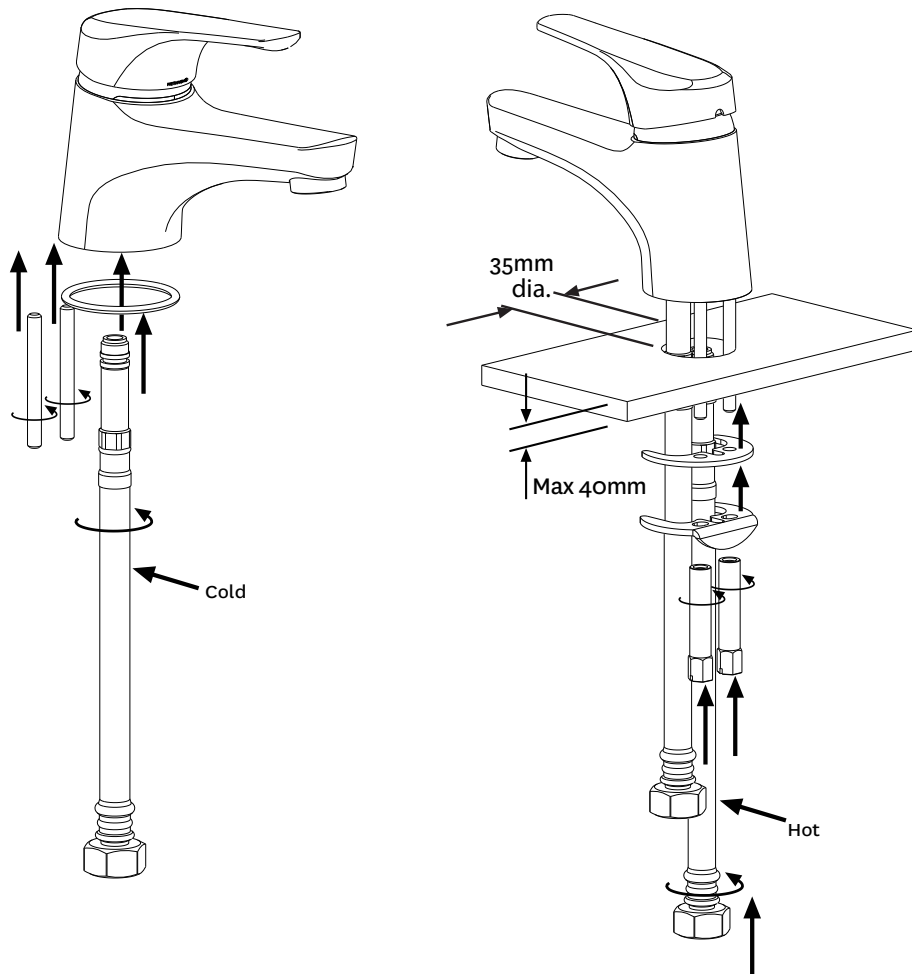


Illustration may not reflect actual product shape.

Installation Guide

IMPORTANT

Please read all of the instructions before installation

Use of this product in non-domestic applications voids warranty.
 All pipe work must be thoroughly flushed prior to the installation of the mixer.
 NEFA inline filters must be installed on both hot and cold supplies.
 Do not remove the ceramic cartridge from the mixer when installing.
 Damage caused by hydrostatic testing is not covered by our warranty.
 Installation of 6 Star rated item needs to be considered in relation to the flow requirements of the hot water service being used.



MAY 2017

MA433347

Methven Australia Pty Ltd

ABN 15 104 813 390

Melbourne, Australia

www.methven.com

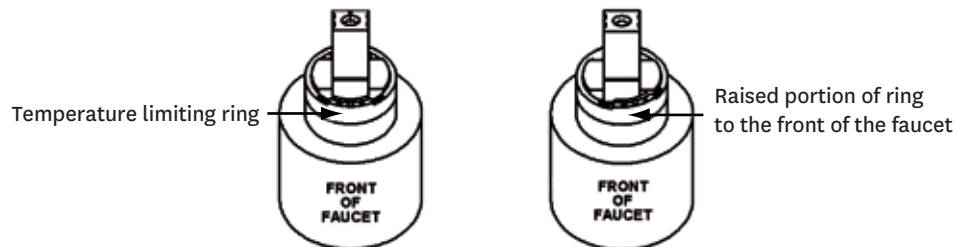
www.methven.com

Technical Specifications

Inlet Connections: All 1/2" BSP
 Operating Pressure: 150kPa - 500kPa
 Operating Temperatures: Recommended hot water supply 50°C, maximum 70°C. AS 3500 requires all hot water supplies to any sanitary fitting to be tempered to 50°C.

Ceramic Cartridge Adjustment

Do not remove the ceramic cartridge from the body assembly while carrying out the following adjustments. Note, the cartridge is factory set for maximum temperature



Maximum hot supply (as fitted in faucet)

Maximum limitation of hot supply

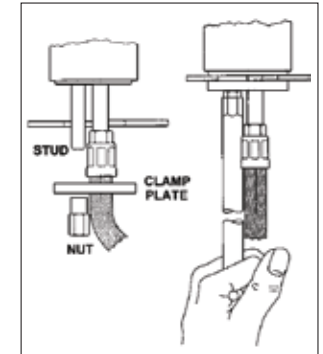
“In situ” testing

The maximum working pressure of the ceramic cartridge is 1000kPa. Do not hydrostatic test the installation with this mixer installed. Damage to the ceramic cartridge may occur, voiding our warranty.

Installation

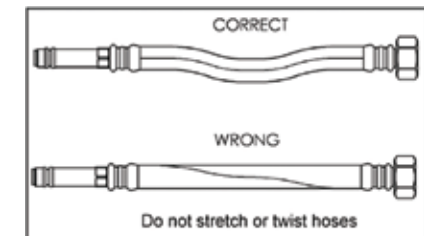
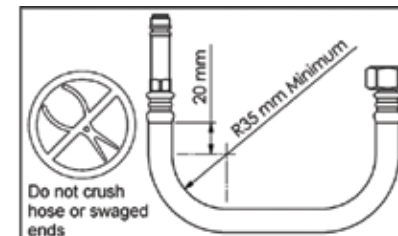
Refer to diagram at right and back.

1. A single 35mm diameter hole is required in the mounting surface. The mounting surface can be a maximum of 40mm thick.
2. Screw the threaded studs into the base of the mixer. Insert the O ring into the groove in the bottom of the base ring and fit the base ring to the bottom of the mixer.
3. Insert the flexible hoses through the hole in the mounting surface (from the underside) and screw them into the base of the mixer.
4. Feed the threaded studs through the hole in the mounting surface. Fit the mounting gasket and mounting plate onto the threaded rods.
5. Tighten the mounting nuts to secure the mixer in place.
6. Connect the flexible hoses to the hot and cold supplies (hot on the left, cold on the right).



Hose Requirements for mixers

The maximum working pressure of the ceramic cartridge is 1000kPa. Do not hydrostatic test the installation with this mixer installed. Damage to the ceramic cartridge may occur.



We recommend that this product is installed by a licensed plumber.

THE METHVEN GUARANTEE

The warranty statement shall apply to all tapware & showers supplied by Methven. For more information visit www.methven.com
 THIS WARRANTY ISSUED BY: Methven Australia Pty Ltd, Melbourne Australia