

THE METHVEN GUARANTEE

The warranty statement shall apply to all tapware & showers supplied by Methven
For more information visit www.methven.com
THIS WARRANTY ISSUED BY: Methven Australia Pty Ltd, Melbourne Australia

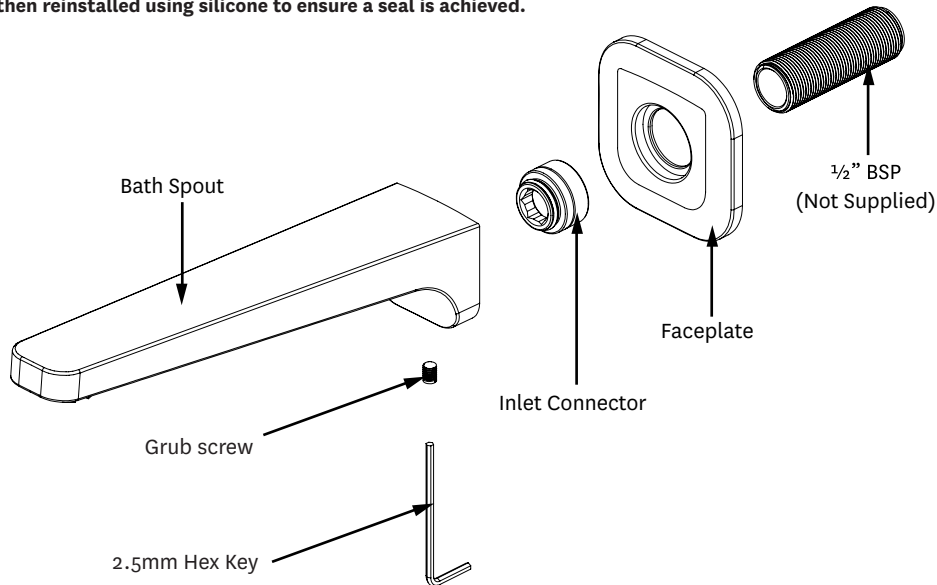
METHVEN

Installation

Note: Maximum hole diameter through wall for 1/2" BSP tube is 22mm.

1. Trim brass nipple to length with a max 22mm +/-2mm protruding from wall lining. Screw into body with teflon tape.
2. Place the faceplate over the brass nipple, ensuring faceplate is flush with the wall surface. It is recommended that a bead of clear silicone sealant is applied on the back of the faceplate before fixing to finished wall surface.
3. Fit inlet connector to brass nipple and place spout over inlet connector. Tighten with an 2.5mm hex key.
Note: Do not turn outlet against faceplate to avoid marking.

Note: It is the responsibility of the installer to ensure a water proof seal is achieved between the faceplate and the finished surface of the wall. If in any doubt about the quality of the seal, the faceplate should be removed and then reinstalled using silicone to ensure a seal is achieved.



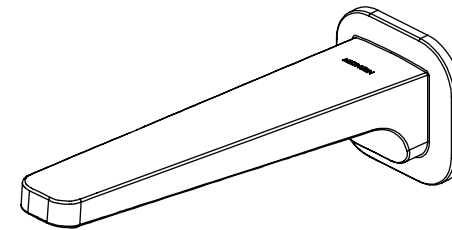
Care and Cleaning

Never use abrasives to clean this product. Clean regularly with contamination free warm soapy water and a damp soft cloth. Damage caused by using unsuitable cleaning agents is not covered by warranty.

Waipori Wall Spout

Basin: 01-8383

Bath: 01-8369



Installation Guide

IMPORTANT

Please read all of the instructions before installation

Use of this product is recommended for domestic and commercial applications. Domestic and commercial warranty terms and conditions vary. Please refer to the Methven website for full warranty terms and conditions - www.methven.com
All pipework must be thoroughly flushed prior to the installation of the mixer. Inline filter washers must be installed on both hot and cold supplies to prevent foreign particles damaging the ceramic head works.
Do not remove the ceramic head works from the mixer when installing.
Damage caused by hydrostatic testing is not covered by Methven's warranty.

Methven recommends a licensed plumber carry out all installations in compliance with the requirements of AS/NZS 3500. This product complies with AS/NZS 3718 regulations.



Applies to basin spout only



WMKA21005

April 2012

MAO18383

Methven Australia Pty Ltd

ABN 15 104 813 390
Melbourne, Australia
www.methven.com

www.methven.com

Customer Care Hotline: 1300 METHVEN (638 483)
Email: info@au.methven.com