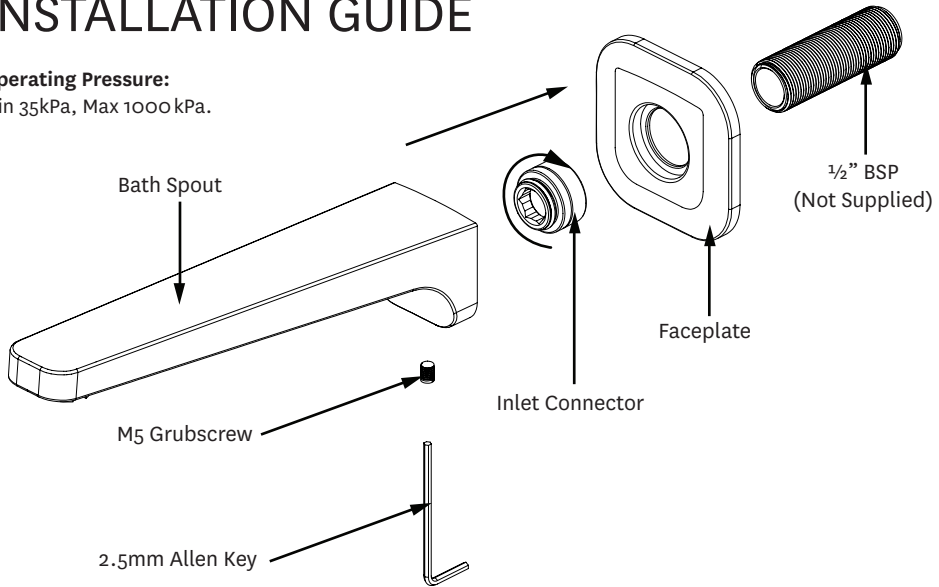


WAIPORI WALL MOUNTED BATH SPOUT INSTALLATION GUIDE

Operating Pressure:

Min 35kPa, Max 1000 kPa.



NOTE: Maximum hole diameter through wall for 1/2" BSP tube is 22mm.

Methven warrants this product against manufacturing defects and that it is suitable for use under the operating conditions specified in this instruction sheet.

For your warranty please refer to www.methven.com or call Customer Service

New Zealand
0800 804 222

Australia
1300 638 483

USA
1800 975 5409

UK
0800 195 1602

WAIPORI

METHVEN