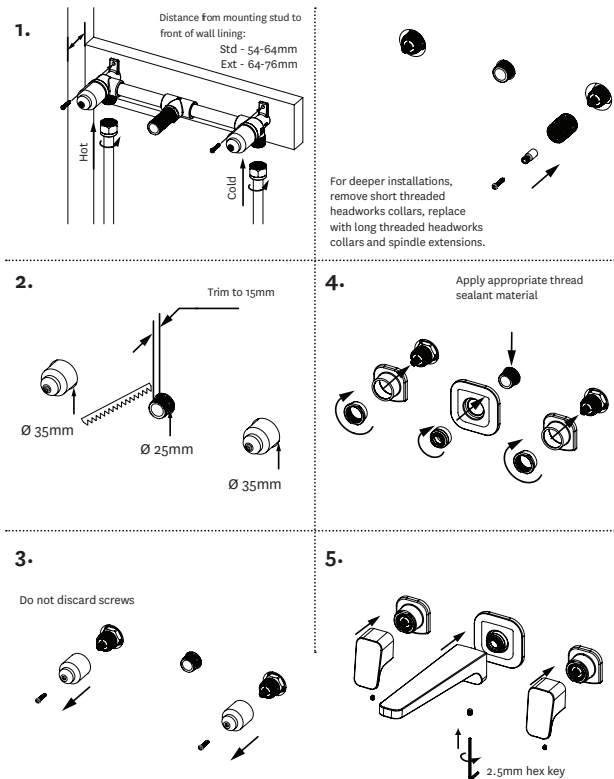


Installation

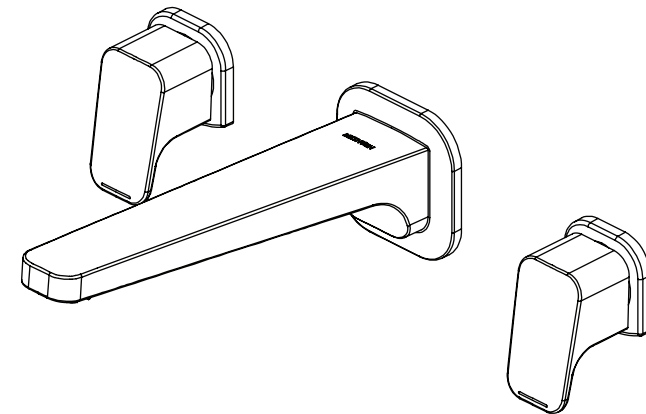
1. Screw the breech set (1) into the mounting stud. Refer to illustration 1. for minimum and maximum tolerances. Plumb the breech set (1) into system.
2. A hole diameter of 35mm will be required for correct head works (2) installation and a hole diameter of 25mm will be required for correct spout (10) installation.
3. Screw head works (2) into breech (1).
4. Trim brass nipple (3) to length with a max 15mm protruding from wall lining.
5. Insert O-ring (4) into the groove in the bottom of the base ring (8) and place over spindle/head works.
6. Screw locking nut (7) over spindle/ head works (2).
7. Place handle (9) onto spindle/ head works (2) and fasten with a 2.5mm hex key (11).
8. Fit inlet connector (6) to brass nipple (3) and place spout (10) over inlet connector (6).
9. Tighten with a 2.5mm hex key (11).



Note: It is the responsibility of the installer to ensure a water proof seal is achieved between the faceplate and the finished surface of the wall. If in any doubt about the quality of the seal, the faceplate should be removed and then reinstalled using silicone to ensure a seal is achieved.

Waipori 3 Hole Wall Mounted Bath Set

01-8345



Installation Guide

IMPORTANT

Please read all of the instructions before installation

Use of this product is recommended for domestic and commercial applications. Domestic and commercial warranty terms and conditions vary. Please refer to the Methven website for full warranty terms and conditions - www.methven.com
 All pipework must be thoroughly flushed prior to the installation of the mixer. Inline filter washers must be installed on both hot and cold supplies to prevent foreign particles damaging the ceramic head works.
 Do not remove the ceramic head works from the mixer when installing.
 Damage caused by hydrostatic testing is not covered by Methven's warranty.

Methven recommends a licensed plumber carry out all installations in compliance with the requirements of AS/NZS 3500. This product complies with AS/NZS 3718 regulations.



Technical Specification

Inlet Connections:	All 1/2" BSP
Operating Pressure:	150kPa - 500kPa
	For optimum performance hot and cold water pressures should be equal.
	AS/NZS 3500 stipulates a 500kPa maximum operating pressure at any outlet within a building. Where normal pressure exceeds 500kPa, a pressure limiting valve must be installed.
Operating Temperature:	Recommended hot water supply 50°C, maximum 70°C. AS/NZS 3500 requires all hot water supplies to any sanitary fitting to be tempered to 50°C.
Ceramic cartridges:	Warranty claims will be void where the ceramic head works has malfunctioned due to the presence of the following within the water supply:
	Copper tube pieces
	Plastic pieces
	Sand, dirt or stones
	Thread tape
	Other objects not normally present in the potable water supplies

Handle Parts / Assembly

Standard Spindle & Handle Assembly Set Up



Hot 04-9752
Cold 04-9769

SPARE PARTS (NOT INCLUDED)

Spindle Handle Extension 04-9837



Spindle Flange M x F Extension 04-9875



Care and Cleaning

Never use abrasives to clean this product. Clean regularly with contamination free warm soapy water and a damp soft cloth. Damage caused by using unsuitable cleaning agents is not covered by warranty.

Product Components

Please check every component in accordance with the table below

No.	Item description	Qty supplied
1	Breech Set	1
2	Headworks	2
3	Brass nipple	1
4	O-ring - base ring	2
5	Faceplate	1
6	Push fit inlet connector	1
7	Locking nut	2
8	Base ring	2
9	Handle with grub screw	2
10	Spout with grub screw	1
11	2.5mm hex key	1
12	Foam seal	1

