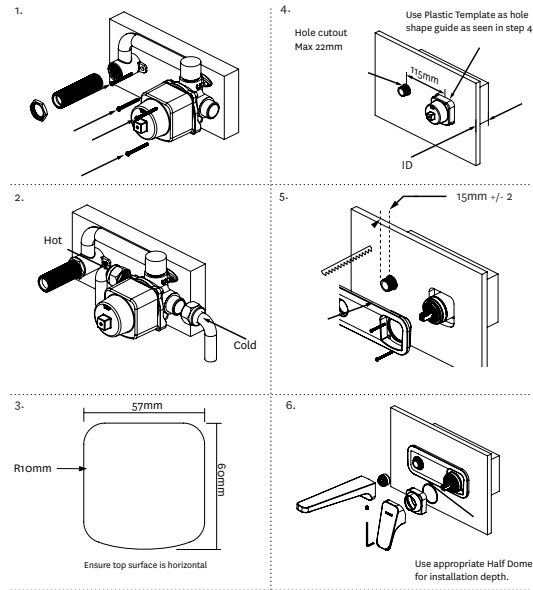


Installation

1. Screw the body assembly (1) into the mounting stud.
2. Screw the body assembly (1) on to the mounting stud positioned to observe the installation depth range as follows:
Range of Install Depth, ID = 54 to 75 mm
Note: Two sizes of half dome (5 & 6) are supplied:
Long dome (6) for 54-65 mm
Short dome for (5) for 65-75 mm
3. Cut holes in lining as pictured.
4. Connect brass nipple and ensure a seal with Teflon tape or similar. Trim the brass nipple to 15 +/- 2mm protruding from finished wall lining. Lubricate the o-ring in the faceplate (2). Place the faceplate (2) over the the body assembly (1) until flat on the finished wall surface. Screw the faceplate (2) into the fixing ring using the screws provided (10).
5. Fit o-ring (7) and appropriate half dome (5) or (6) over the body assembly (1). Fit handle (8) and fasten grub screw with 2.5mm hex key (9). Screw on the brass connector (3) and ensure a seal with Teflon tape or similar. Push spout (4) into place over brass connector (3) and lock into place by tightening with the 2.5mm hex key supplied (9). Place handle onto mixer and fasten grub screw with 2.5mm hex key supplied (9).

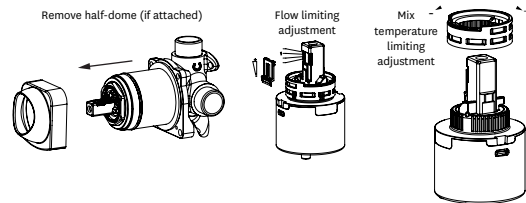


Note: Do not rotate spout against faceplate to avoid scratching.

Ceramic Cartridge Adjustment

Do not remove the ceramic cartridge from the body while carrying out the following adjustments.

Note: the cartridge is factory set for maximum temperature.

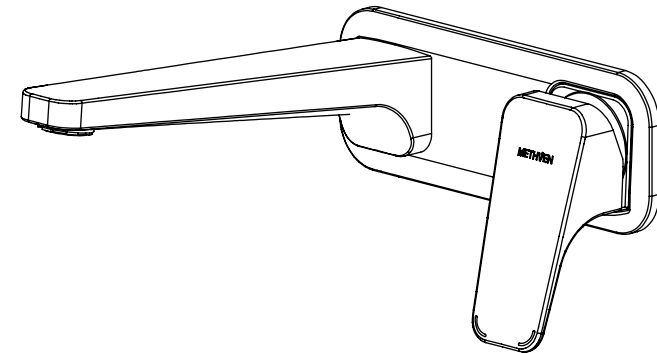


MAO18123

Waipori Wall Mounted Mixer with Plate

Basin: 01-8123

Bath: 01-8246



Installation Guide

IMPORTANT

Please read all of the instructions before installation

Use of this product is recommended for domestic and commercial applications. Domestic and commercial warranty terms and conditions vary. Please refer to the Methven website for full warranty terms and conditions - www.methven.com
All pipework must be thoroughly flushed prior to the installation of the mixer. Inline filter washers must be installed on both hot and cold supplies to prevent foreign particles damaging the ceramic cartridge.
Do not remove the ceramic cartridge from the mixer when installing.
Damage caused by hydrostatic testing is not covered by Methven's warranty.

Methven recommends a licensed plumber carry out all installations in compliance with the requirements of AS/NZS 3500. This product complies with AS/NZS 3718 regulations.



Applies to basin mixer only



April 2012

Methven Australia Pty Ltd

ABN 15 104 813 390

Melbourne, Australia

www.methven.com

www.methven.com

Customer Care Hotline: 1300 METHVEN (638 483)

Email: info@au.methven.com

Technical Specification

Inlet Connections:	All 1/2" BSP
Operating Pressure:	150kPa - 500kPa
	For optimum performance hot and cold water pressures should be equal.
	AS/NZS 3500 stipulates a 500kPa maximum operating pressure at any outlet within a building. Where normal pressure exceeds 500kPa, a pressure limiting valve must be installed.
	This basin mixer is rated at 7.5l/m. If limited water flow is experienced, locate stream shaper flow restricting device and filter washers and clean away foreign material as required.
Operating Temperature:	Recommended hot water supply 50°C, maximum 70°C. AS/NZS 3500 requires all hot water supplies to any sanitary fitting to be tempered to 50°C.
Ceramic cartridges:	Warranty claims will be void where the ceramic cartridge has malfunctioned due to the presence of the following within the water supply:
	Copper tube pieces
	Plastic pieces
	Sand, dirt or stones
	Thread tape
	Other objects not normally present in the potable water supplies

Piping Requirements for Mixers

Avoid restrictive piping, fitting or sharp angled bends when plumbing the mixer

Do not hydrostatic test* the installation with this mixer installed. Damage to the ceramic cartridge may occur, voiding warranty.

Hydrostatic testing refers to placing the system under pressure, above the recommended operating pressure, to determine water tightness and to uncover leaks or weak joints within the system.

Care and Cleaning

Never use abrasives to clean this product. Clean regularly with contamination free warm soapy water and a damp soft cloth. Damage caused by using unsuitable cleaning agents is not covered by warranty.

Product Components

Please check every component in accordance with the table below

No.	Item description	Qty supplied
1	Body assembly	1
2	Faceplate	1
3	Inlet connector	1
4	Spout	1
5	Short half-dome	1
6	Long half-dome	1
7	O ring	1
8	Handle with grub screw	1
9	2.5mm hex key	1
10	Screws	2

