

Kaha Shower Mixer

01-7102

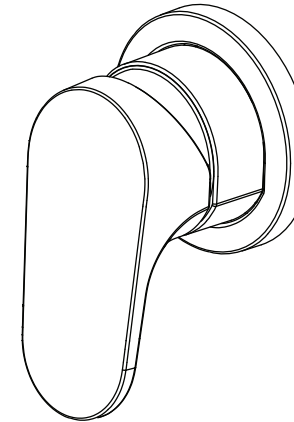


Illustration may not reflect actual product shape.

Installation Guide

IMPORTANT

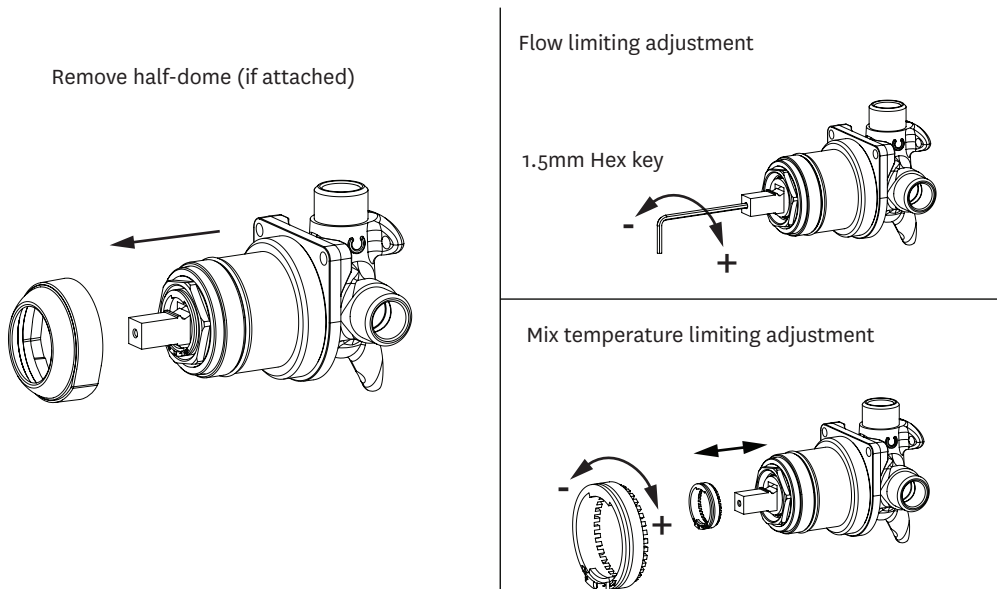
Please read all of the instructions before installation

Use of this product in non-domestic applications voids warranty.
 All pipe work must be thoroughly flushed prior to the installation of the mixer.
 NEFA inline filters must be installed on both hot and cold supplies.
 Do not remove the ceramic cartridge from the mixer when installing.
 Damage caused by hydrostatic testing is not covered by our warranty.



Ceramic Cartridge Adjustment

Do not remove the ceramic cartridge from the body assembly while carrying out the following adjustments. Note, the cartridge is factory set for maximum temperature.



“In situ” testing

The maximum working pressure of the ceramic cartridge is 1000kPa. Do not hydrostatic test the installation with this mixer installed. Damage to the ceramic cartridge may occur, voiding our warranty.

MAY 2011

MA017102



Methven Australia Pty Ltd

ABN 15 104 813 390

Melbourne, Australia

www.methven.com

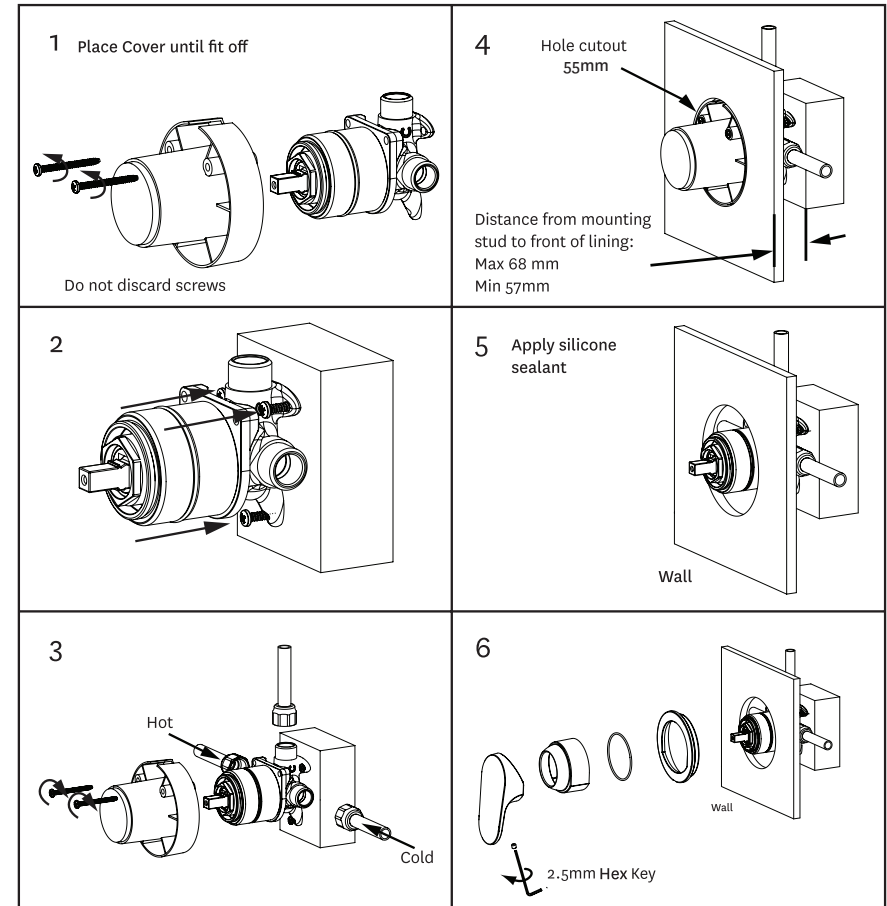
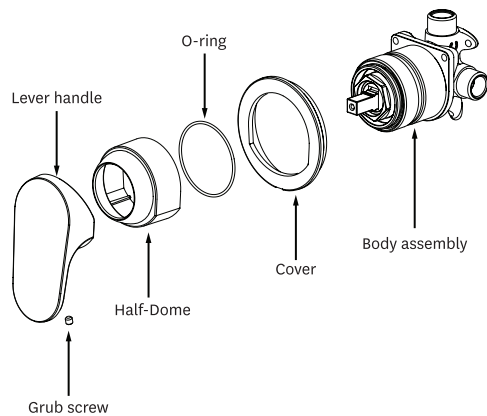
www.methven.com

Technical Specifications

Inlet Connections: All 1/2" BSP
Operating Pressure: 150kPa - 500kPa
Operating Temperatures: Recommended hot water supply 50°C, maximum 70°C. AS 3500 requires all hot water supplies to any sanitary fitting to be tempered to 50°C.

Avoid restrictive piping, fitting or sharp angled bends when plumbing the mixer. The maximum working pressure of the ceramic cartridge is 1000kPa. Do not hydrostatic test the installation with this mixer installed. Damage to the ceramic cartridge may occur.

Note: It is recommended to apply a bead of clear silicon sealant on back of the face plate before fixing to finished wall surface.



We recommend that this product is installed by a licensed plumber.

THE METHVEN GUARANTEE

The warranty statement shall apply to all tapware & showers supplied by Methven. For more information visit www.methven.com

THIS WARRANTY ISSUED BY: Methven Australia Pty Ltd, Melbourne Australia