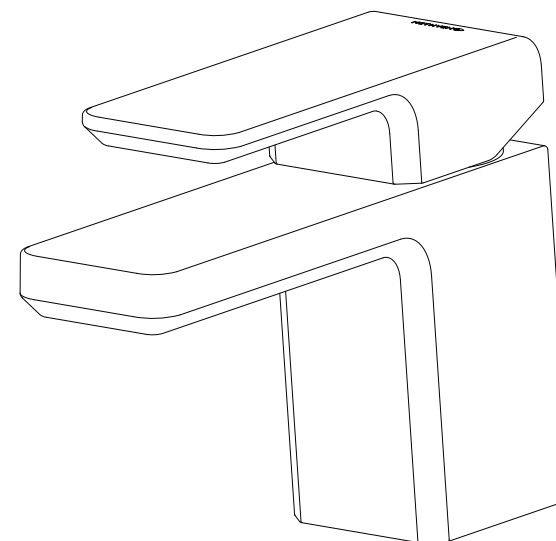
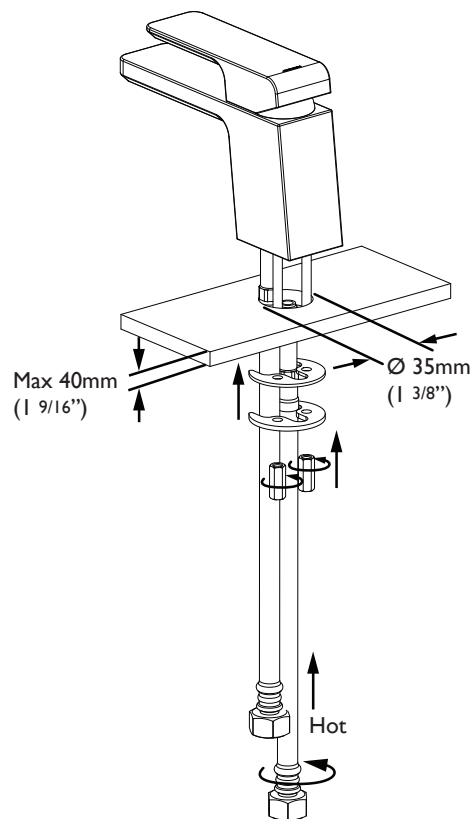
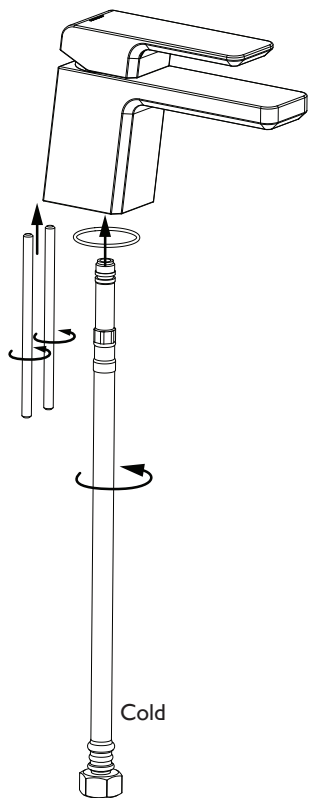


Kiri Basin Mixer

01-5009



Installation Guide

IMPORTANT

Please read all of the instructions before installation

Use of this product in non-domestic applications voids warranty.
 All pipe work must be thoroughly flushed prior to the installation of the mixer.
 NEFA inline filters must be installed on both hot and cold supplies.
 Do not remove the ceramic cartridge from the mixer when installing.



MAR 2008

MA015009

Technical Specifications

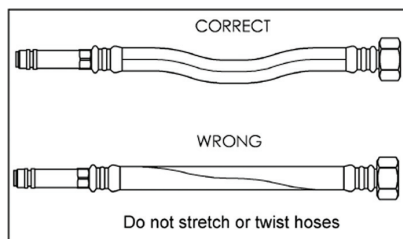
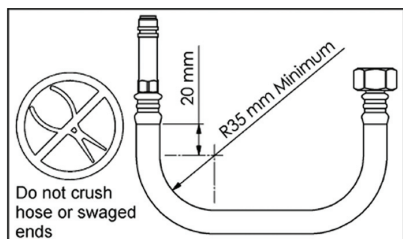
Inlet Connections: All 1/2" BSP

Operating Pressure: 150kPa - 500kPa

Operating Temperatures: Recommended hot water supply 50°C, maximum 70°C. AS 3500 requires all hot water supplies to any sanitary fitting to be tempered to 50°C.

Hose Requirements for mixers

The maximum working pressure of the ceramic cartridge is 1000kPa. Do not hydrostatic test the installation with this mixer installed. Damage to the ceramic cartridge may occur.



Installation

Refer to diagram at right.

1. A single 35mm diameter hole is required in the mounting surface. The mounting surface can be a maximum of 40mm thick.
2. Screw the threaded studs into the base of the mixer. Insert the O ring into the groove in the bottom of the base ring and fit the base ring to the bottom of the mixer.
3. Insert the flexible hoses through the hole in the mounting surface (from the underside) and screw them into the base of the mixer.
4. Feed the threaded studs through the hole in the mounting surface. Fit the mounting gasket and mounting plate onto the threaded rods.
5. Tighten the mounting nuts to secure the mixer in place.
6. Connect the flexible hoses to the hot and cold supplies (hot on the left, cold on the right).

