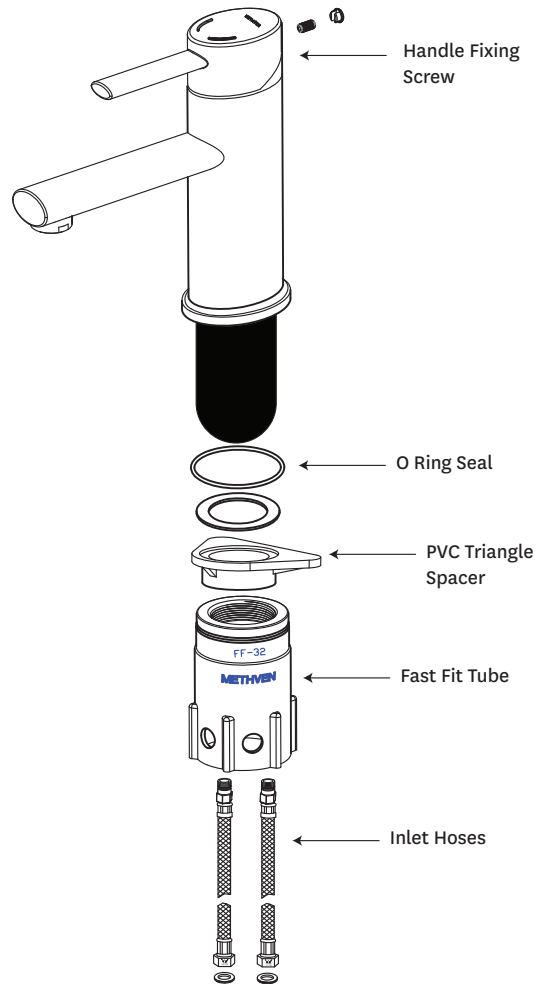


Mixer Assembly



Ovalo Basin Mixer

01-0011

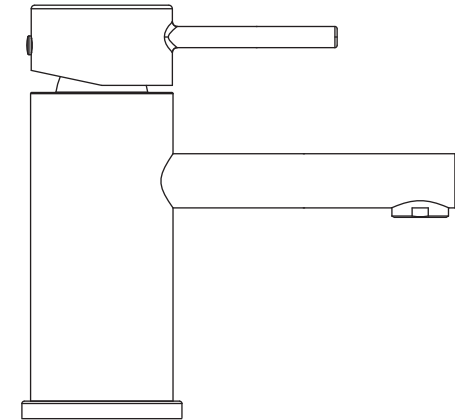


Illustration may not reflect actual product shape.

Installation Guide

IMPORTANT

Please read all of the instructions before installation

Use of this product in non-domestic applications voids warranty.
 All pipe work must be thoroughly flushed prior to the installation of the mixer.
 NEFA inline filters must be installed on both hot and cold supplies.
 Do not remove the ceramic cartridge from the mixer when installing.
 Damage caused by hydrostatic testing is not covered by our warranty.



AUG 2010

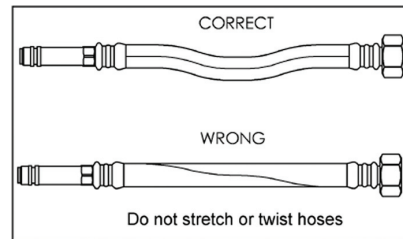
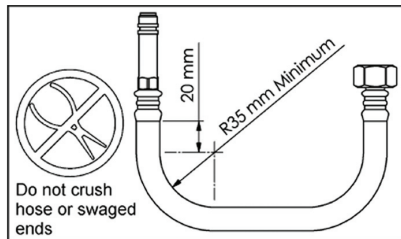
MA433500

Technical Specifications

Inlet Connections: All 1/2" BSP
 Operating Pressure: 150kPa - 500kPa
 Operating Temperatures: Recommended hot water supply 50°C, maximum 70°C. AS 3500 requires all hot water supplies to any sanitary fitting to be tempered to 50°C.

Hose Requirements for mixers

The maximum working pressure of the ceramic cartridge is 1000kPa. Do not hydrostatic test the installation with this mixer installed. Damage to the ceramic cartridge may occur.



“In situ” testing

The maximum working pressure of the ceramic cartridge is 1000kPa. Do not hydrostatic test the installation with this mixer installed. Damage to the ceramic cartridge may occur, voiding our warranty.

Installation

Refer to diagram at right.

1. Cut a 35mm diameter hole through the bench top. Ensure the thickness of the bench top does not exceed 30mm.
2. Remove the rubber seal washer.
3. Fit the ‘o’ ring sealing washers (provided in a separate bag) over the tail pipes and push it up to fit against the underside of the sink faucet.
4. Place the mixer body through the hole cut in the bench top.
5. Secure the ‘hot’ hose into the port marked H. Secure the ‘cold’ hose into the other port.

Note: Optional hose connection tails are available as spare part (O4-8434).

6. Place the rubber seal washer over the hoses to form a seal on the underside of the bench. If required also use PVC triangle spacer.
7. Secure the faucet in place using the Fast-Fit Tube, against the underside of the bench.
8. Flush pipework thoroughly.
9. Connect the hoses to their respective water supplies (see over page). Two rubber washers are provided for the flexible hose supply connections. Machined nipple ends are required to ensure a seal to the flexible hose nuts and the rubber washers.

THE METHVEN GUARANTEE

The warranty statement shall apply to all tapware & showers supplied by Methven. For more information visit www.methven.com

THIS WARRANTY ISSUED BY: Methven Australia Pty Ltd, Melbourne Australia