

METHVEN



SHOWERS

Exclusive  
Collection



---

## CONTENTS

Showers	08
Aurajet Showers	10
Satinjet Showers	18
Technical Drawings	22
Quick Reference Guide	26

# Creating amazing water experiences since

# 1886

---

Creating amazing water experiences is what we do every day at Methven, and have done since 1886 when George Methven first started as a producer of brass and iron hardware in Dunedin, New Zealand.

Today, Methven is world renowned for beautifully designed, award-winning showers, taps and valves. It all stems from our knowledge of water. Our unique history as an island nation has taught us to take care of nature's most precious resource.

Over the years we have learned how to harness its power to cleanse, calm, refresh and invigorate. And it's this expertise - combined with our passion for design and innovation - that fuels our ongoing mission to create amazing water experiences, just for you.





# Designed with you in mind

---

We want to make your experiences with water truly memorable. To do this we spend a lot of time studying and researching what people want, anticipating even the smallest of needs to deliver truly amazing water experiences.

Every detail is considered. From optimising the spray from our shower heads for better warmth and coverage; to a sliding switch instead of a conventional rotating head to make changing shower functions easy even with wet, slippery hands. Small details of your entire bathroom experience have been improved to create a big impact - and always designed with you in mind.



Steve Dixon

Toolmaker  
28 years of service

# Guaranteed quality

We're proud to stand by each and every one of our products with a lifetime warranty.

The reason for this is simple: we design and engineer our products here in New Zealand, so that we have control over the process from start to finish. We constantly push for perfection. In fact there is not a single component that hasn't been considered and refined for quality and durability at every stage - from design and engineering right through to manufacturing, crafting and even packaging.



# Committed to the environment

At Methven we're committed to protecting the planet and reducing our environmental impact to help conserve the earth's natural resources.

Water is the earth's most precious commodity. Currently around one fifth of the world lives in a water-scarce region. And with water usage growing at twice the population rate, its preservation will only become more vital in years to come.

That's why at Methven we make taking care of water a primary focus in every product we develop.

For example, did you know that your shower uses around 30% of your household water consumption? So we've developed innovative technologies - such as Satinjet and Aurajet - that deliver a luxurious shower experience, while actually using less water.

Methven. Conserving energy and water to protect  
the planet for generations to come.

---

Lake Wakitipu  
Queenstown, NZ

---

# Your shower experiences

Your shower should be a highlight of your day, transforming body and mind. But everyone has their own idea of the perfect shower. That's why at Methven we've spent a huge amount of time researching people's preferences, and creating innovations that turn your shower time into an amazing experience, every time.



## Aurajet°

The next generation of showering has arrived.

20% more spray force and twice the amount of water on your skin than a conventional shower\*.

\* Compared to a Methven Conventional Shower at 9L per minute.



## Satinjet°

A sensation only your skin can truly understand.

An amazing full-body shower sensation. Satinjet turns an everyday ritual into an experience like no other.

## Which shower?

There's an abundance of different shower types to choose from across the Methven range. Here's a quick guide to ensure you choose the right shower for your bathroom environment:

<p><b>RAIL SHOWER</b></p> <p>Offers great flexibility – height adjustability so the smallest or tallest users can enjoy a great shower, plus a handset that can be picked up for direct body showering. Perfect for the family bathroom.</p>	<p><b>TWIN SHOWER SYSTEM</b></p> <p>The ultimate shower for those who want the best of both worlds. Enjoy the flexibility of a rail shower with the added luxury of an overhead shower. Great for ensembles.</p>	<p><b>WALL SHOWER</b></p> <p>Compact, durable and easy to clean. A popular choice for confined areas, commercial spaces and rental properties.</p>	<p><b>OVERHEAD SHOWER</b></p> <p>For those who want an elegant yet minimalist look and a fully immersive experience. Overhead Showers are the ideal choice.</p>
		<p><b>HAND SHOWER</b></p> <p>The simplicity of a fixed-point shower with the versatility of a movable showerhead. Can also be a handy addition to your bath or combined with an overhead for a more luxurious experience.</p>	<p><b>HI RISE SHOWER</b></p> <p>A wall shower with the added bonus of height adjustability. Works well in a family bathroom.</p>

# METHVEN

Aurajet®

## The next generation of showering has arrived.

Introducing Aurajet™. Our most advanced, most invigorating shower experience ever, that turns conventional showering on its head.

Invisible nozzles generate individual jets of water that collide against precisely angled surfaces hidden within the contours of the unique halo-shaped showerhead.

The result is a stunning fan of luxuriously dense droplets that delivers a highly efficient shower with 20% more spray force and twice the amount of water contact on your skin than a conventional shower\*. All this adds up to an enveloping warmth that has to be felt to be believed, and a heavenly experience that puts you in a great space, every time you shower.



**20%**  
MORE SPRAY FORCE\*

**2x**  
THE AMOUNT OF  
SKIN CONTACT\*

\* Compared to a Methven Conventional Shower at 9L per minute.



# Aurajet® Aio

The Aio shower employs groundbreaking Aurajet technology to deliver a full-bodied spray with maximum body contact and all-over warmth. It's our most advanced, most invigorating shower experience yet.

## AURAJET

A stunning fan of luxuriously dense droplets that deliver a highly efficient shower with 20% more spray force and twice the amount of water on your skin\*.

\* Compared to a Methven Conventional Shower at 9L per minute.



## ULTRA WIDE COVERAGE

A full-bodied spray for all-over warmth and maximum body contact.



1.



2.



## 1. AIO TWIN SHOWER SYSTEM

Drencher WELS 3★ 9L/MIN

Handset WELS 3★ 9L/MIN

CHROME > AOSSCPAU

WHITE > AOSSCPWHAU



## 2. AIO OVERHEAD SHOWER

WELS 3★ 9L/MIN

CHROME > AOSSCPAU

WHITE > AOSSCPWHAU





1.



2.



3.



4.



5.



1. AIO HI RISE SHOWER

WELS 3★ 9L/MIN  
 CHROME > AOHRCPAU  
 WHITE > AOHRCPWHAU



2. AIO RAIL SHOWER

WELS 3★ 9L/MIN  
 CHROME > AOSRCPAU  
 WHITE > AOSRCPWHAU



3. AIO HAND SHOWER

WELS 3★ 9L/MIN  
 CHROME > AOWOBCPAU  
 WHITE > AOWOBCPWHAU



4. AIO WALL SHOWER

WELS 3★ 9L/MIN  
 CHROME > AOSACPAU  
 WHITE > AOSACPWHAU



5. AIO HANDSET

WELS 3★ 9L/MIN  
 CHROME > AOHSPPAU  
 WHITE > AOHSPPWHAU





1. AIO TWIN SHOWER SYSTEM

WELS 3★ 9L/MIN  
MATTE BLACK > AOSSBKAU



2. AIO OVERHEAD SHOWER

WELS 3★ 9L/MIN  
MATTE BLACK > AOSSBKAU



3. AIO RAIL SHOWER

WELS 3★ 9L/MIN  
MATTE BLACK > AOSRBKAU



4. AIO HAND SHOWER

WELS 3★ 9L/MIN  
MATTE BLACK > AOWOBBKAU



# METHVEN

Satinjet®

## A sensation only your skin can truly understand.

Turn an everyday ritual into a shower experience with award-winning Satinjet® technology from Methven.

Unlike conventional showers, **Satinjet®** uses unique twin-jet technology to create optimum water droplet size and pressure, with over 300,000 droplets per second. The result is an immersive, full-body shower sensation that transforms your regular shower into an experience like no other.

**Satinjet®** from Methven – prepare yourself for a truly sensational shower experience.



# Satinjet® Escape MK3

Clean in design with enough contemporary flair to catch the designer eye, Methven's Escape showers feature an integration of soft curves to accentuate that natural simplicity.

#### SATINJET

A full-body shower experience, like no other. Satinjet's colliding twin jets produce over 300,000 droplets of water per second for the ultimate shower experience.

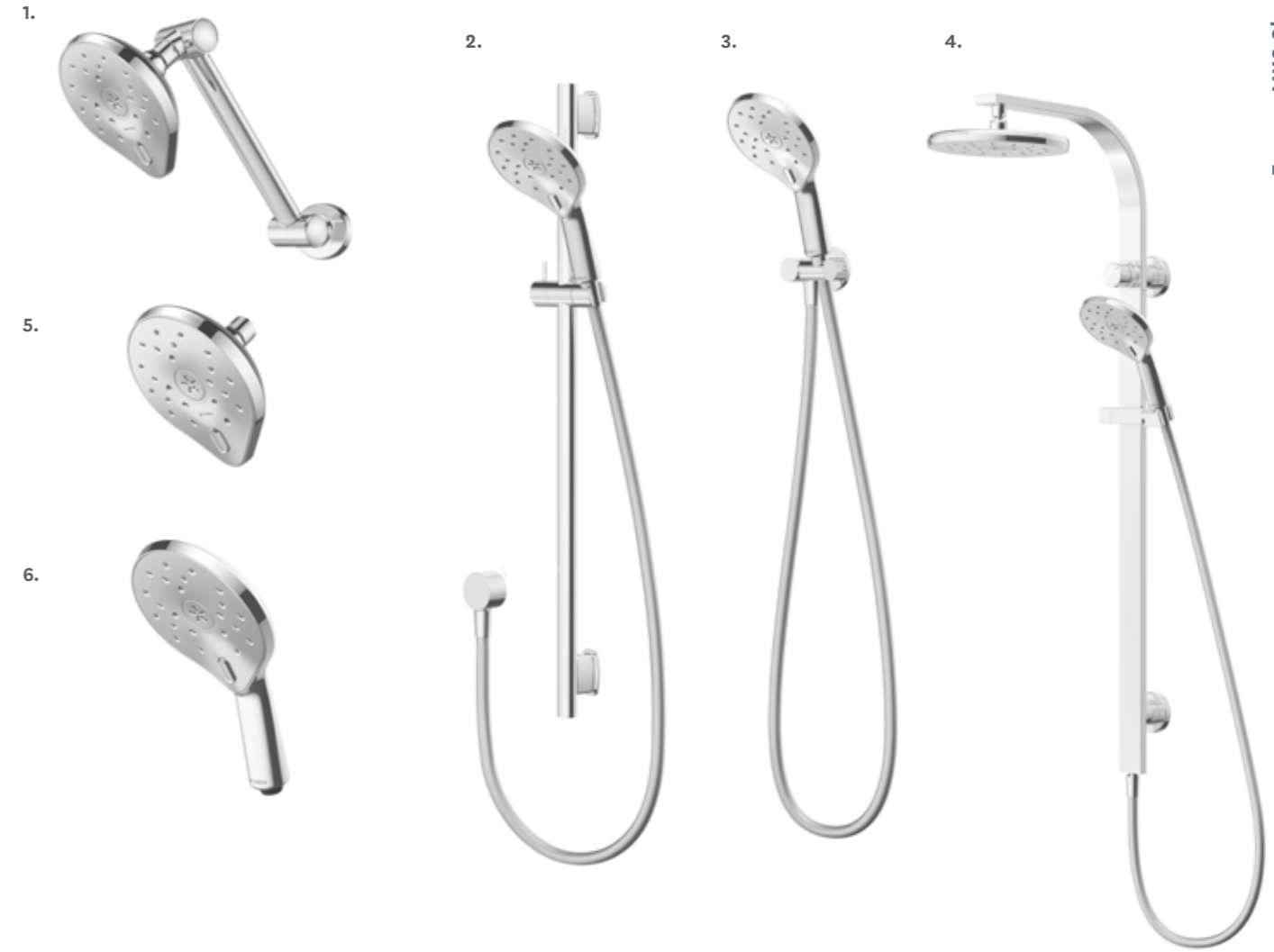
#### MASSAGE

The luxurious Satinjet experience with an added massage function for a more powerful spray - ideal for rinsing your hair.



#### ULTRA WIDE COVERAGE

A full-bodied spray for all-over warmth and maximum body contact.



#### 1. ESCAPE MK3 HI RISE SHOWER

WELS 3★ 9L/MIN  
CHROME > 2241114



#### 2. ESCAPE MK3 RAIL SHOWER

WELS 3★ 9L/MIN  
CHROME > 2241112



#### 3. ESCAPE MK3 HAND SHOWER

WELS 3★ 9L/MIN  
CHROME > 2241111



#### 4. ESCAPE MK3 TWIN SHOWER SYSTEM

Drencher WELS 3★ 9L/MIN  
Handset WELS 3★ 9L/MIN  
CHROME > 2241113



#### 5. ESCAPE MK3 WALL SHOWER ROSE

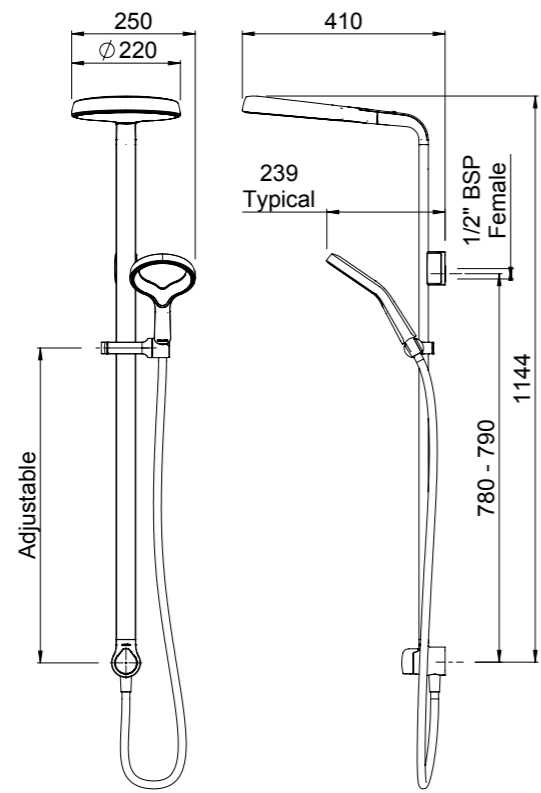
WELS 3★ 9L/MIN  
CHROME > 2241116



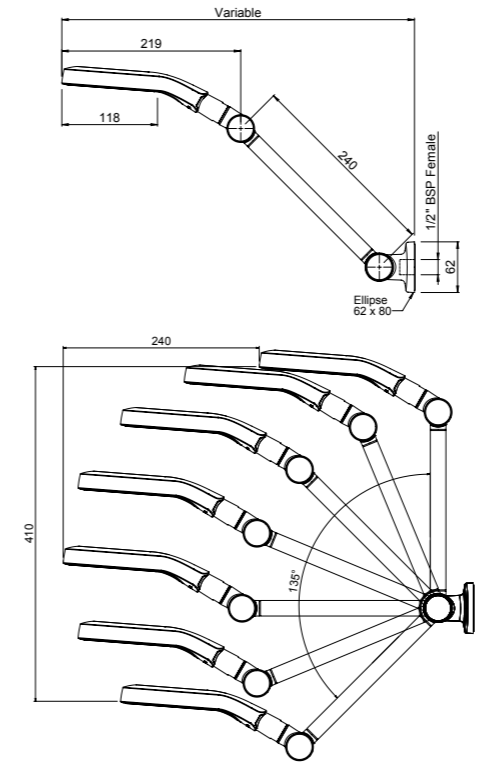
#### 6. ESCAPE MK3 HANDSET

WELS 3★ 9L/MIN  
CHROME > 2241115

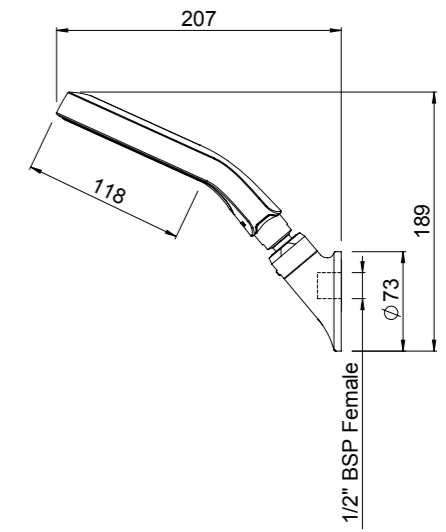




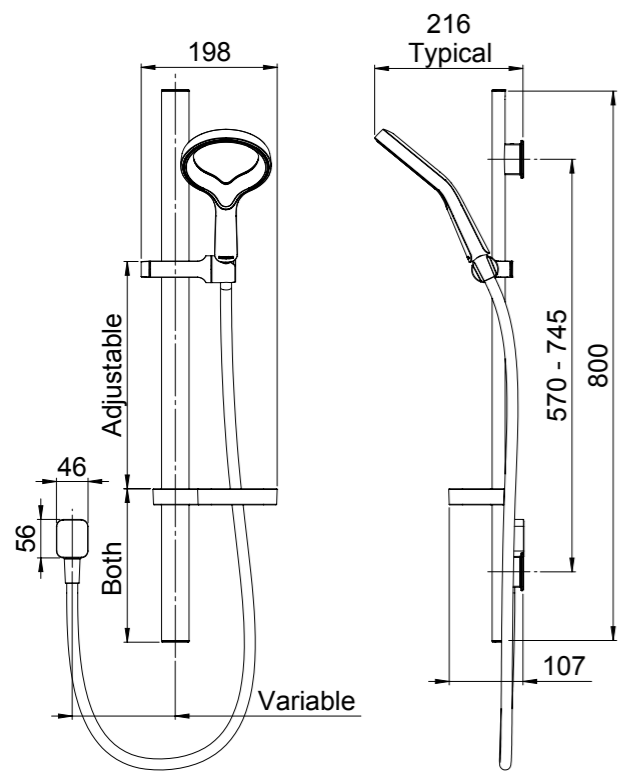
**AURAJET® AIO**  
TWIN SHOWER SYSTEM



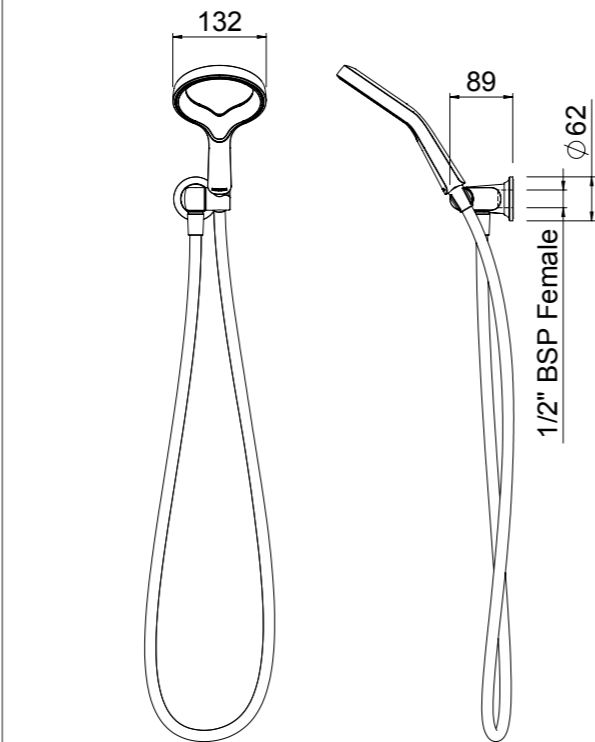
**AURAJET® AIO**  
HI RISE SHOWER



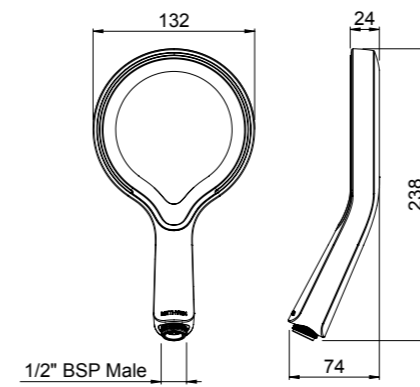
**AURAJET® AIO**  
WALL SHOWER



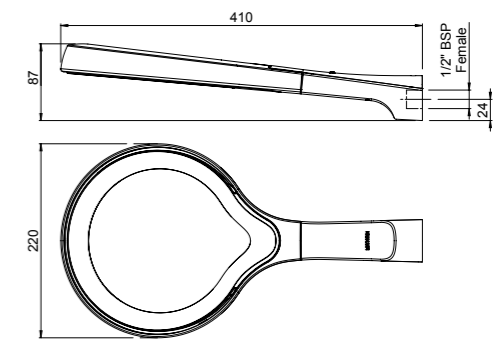
**AURAJET® AIO**  
RAIL SHOWER



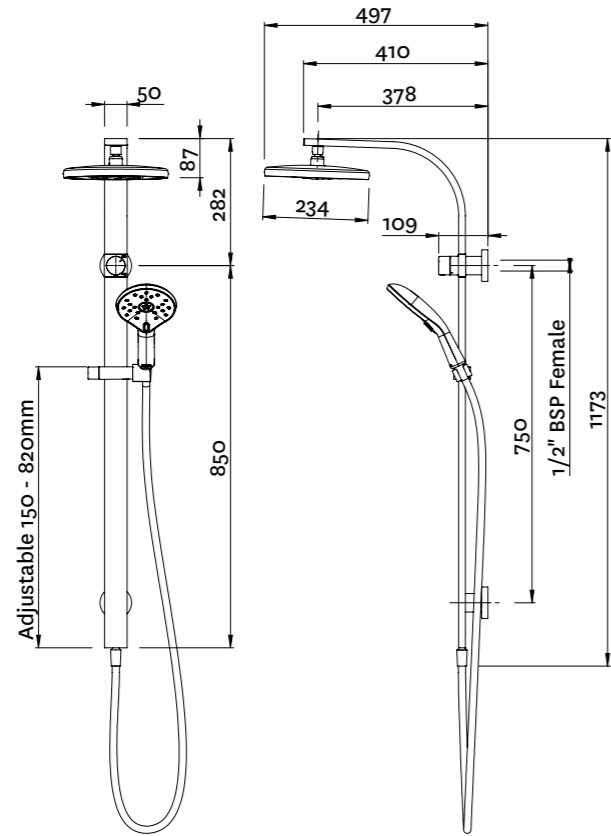
**AURAJET® AIO**  
HAND SHOWER



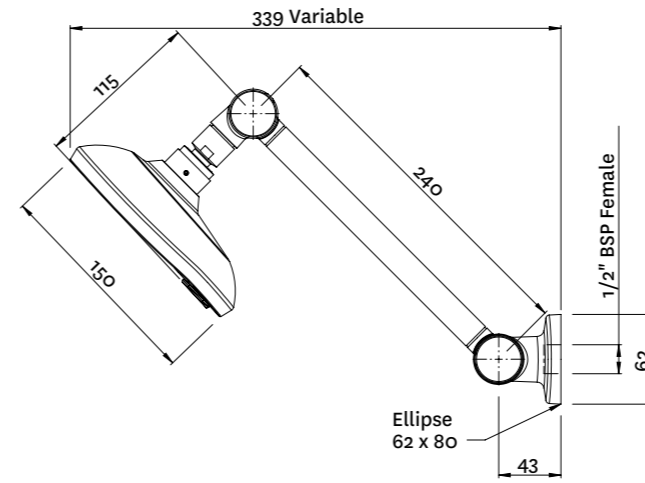
**AURAJET® AIO**  
HANDSET



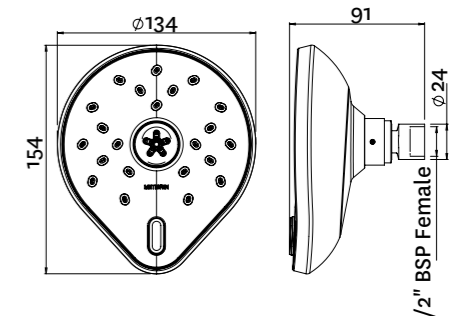
**AURAJET® AIO**  
OVERHEAD SHOWER



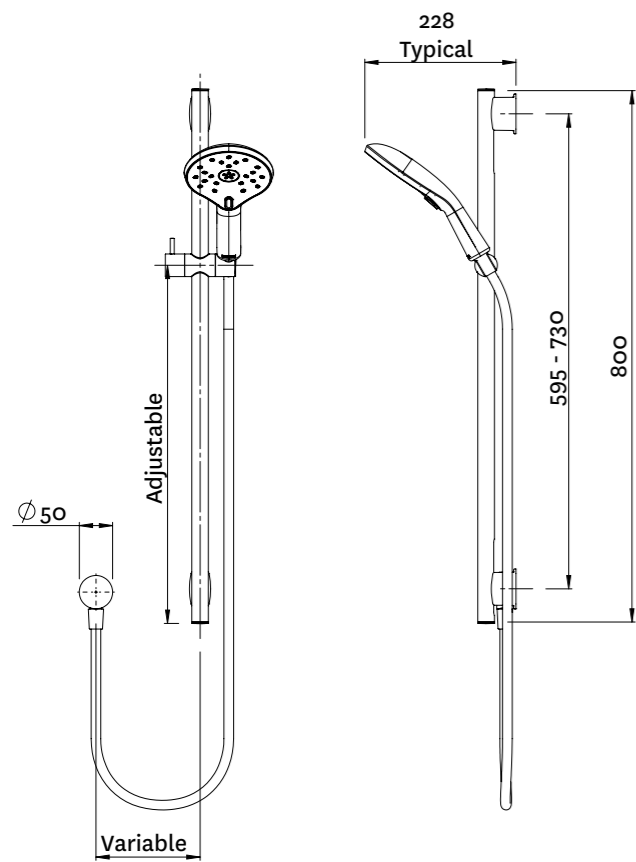
**SATINJET ESCAPE MK3**  
TWIN SHOWER SYSTEM



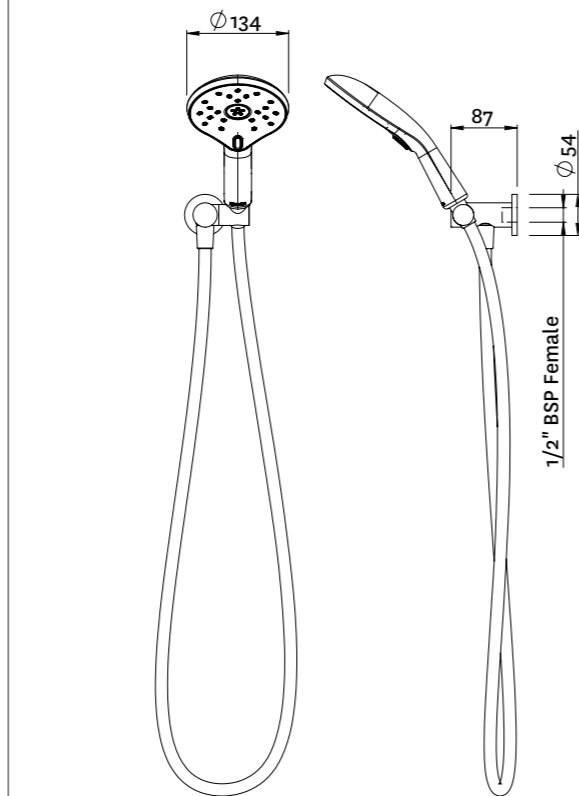
**SATINJET ESCAPE MK3**  
HI RISE SHOWER



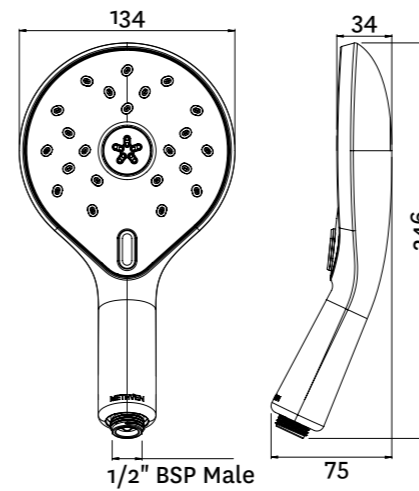
**SATINJET ESCAPE MK3**  
WALL SHOWER ROSE



**SATINJET ESCAPE MK3**  
RAIL SHOWER



**SATINJET ESCAPE MK3**  
HAND SHOWER



**SATINJET ESCAPE MK3**  
HANDSET

## Aurajet® Showers Quick Reference Guide

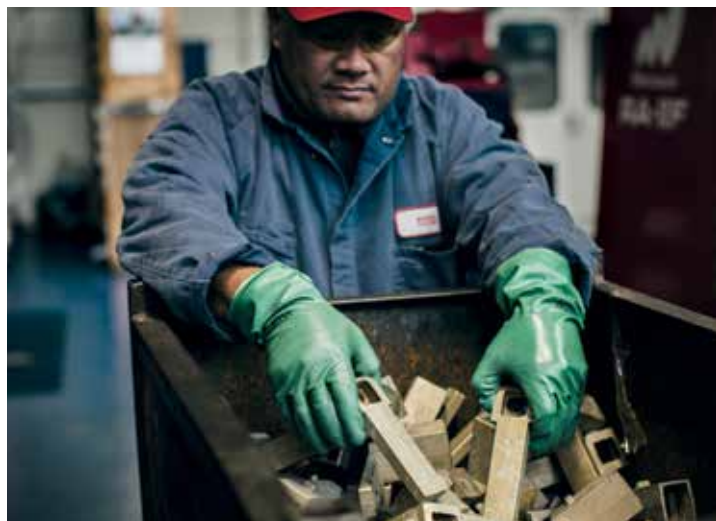
	FINISHES	REECE CODE	METHVEN CODE	WELS RATING	WATER FLOW RATE	AURAJET™ TECHNOLOGY	EASY RETROFIT INSTALLATION
AURAJET® AIO TWIN SHOWER SYSTEM	CHROME	2299917	AOSSCPAU	3	9 L/M	●	
	CHROME & WHITE	2299918	AOSSCPWHAU	3	9 L/M	●	
	MATTE BLACK	2299557	AOSSBKAU	3	9 L/M	●	
AURAJET® AIO OVERHEAD SHOWER	CHROME	2299911	AOOSCPAU	3	9 L/M	●	●
	CHROME & WHITE	2299912	AOOSCPWHAU	3	9 L/M	●	●
	MATTE BLACK	2299558	AOOSBKAU	3	9 L/M	●	●
AURAJET® AIO RAIL SHOWER	CHROME	2285638	AOSRCPAU	3	9 L/M	●	●
	CHROME & WHITE	2285639	AOSRCPWHAU	3	9 L/M	●	●
	MATTE BLACK	2285972	AOSRBKAU	3	9 L/M	●	●
AURAJET® AIO HAND SHOWER	CHROME	2285640	AOWOB CPAU	3	9 L/M	●	●
	CHROME & WHITE	2285641	AOWOB CPWHAU	3	9 L/M	●	●
	MATTE BLACK	2285973	AOWOB BKAU	3	9 L/M	●	●
AURAJET® AIO HI-RISE SHOWER	CHROME	2285646	AOHR CPAU	3	9 L/M	●	●
	CHROME & WHITE	2285647	AOHR CPWHAU	3	9 L/M	●	●
AURAJET® AIO WALL SHOWER	CHROME	2285644	AOSAC PAU	3	9 L/M	●	●
	CHROME & WHITE	2285645	AOSAC PWHAU	3	9 L/M	●	●
AURAJET® AIO HANDSET	CHROME	2285642	AOHSC PAU	3	9 L/M	●	●
	CHROME & WHITE	2285643	AOHSC PWHAU	3	9 L/M	●	●

## Satinjet® Showers Quick Reference Guide

	FINISHES	REECE CODE	METHVEN CODE	WELS RATING	WATER FLOW RATE	SATINJET™ TECHNOLOGY	EASY RETROFIT INSTALLATION
SATINJET® ESCAPE MKIII TWIN SHOWER SYSTEM	CHROME	2241113	KHSSCPAU	3	9 L/M	●	
SATINJET® ESCAPE MKIII RAIL SHOWER	CHROME	2241112	KHSR CPAU	3	9 L/M	●	●
SATINJET® ESCAPE MKIII HAND SHOWER	CHROME	2241111	KHWOB CPAU	3	9 L/M	●	●
SATINJET® ESCAPE MKIII HI RISE SHOWER	CHROME	2241114	KHHR CPAU	3	9 L/M	●	●
SATINJET® ESCAPE MKIII WALL SHOWER ROSE	CHROME	2241116	KHWSC PAU	3	9 L/M	●	●
SATINJET® ESCAPE MKIII HANDSET	CHROME	2241115	KHHSC PAU	3	9 L/M	●	●







# Icons Menu

To help you to identify important product features, we have placed icons beside each product. When you're browsing through this brochure, simply fold out this flap so you can quickly refer to each icons meaning.



**NEW PRODUCT**



**COOL-TO-TOUCH TECHNOLOGY**

Ensures the exterior never gets warmer than the mixed water temperature resulting in a safer shower environment.



**MAINS PRESSURE DESIGN**

Suitable for mains water pressure installations above 150kPa.



**FLEXIBLE RAIL INSTALLATION**

Adjustable mounting brackets for easy retrofit to existing installation holes.



**ECO BRASS®**

Made with lead-free EcoBrass® to protect water quality and for enhanced corrosion resistance.